



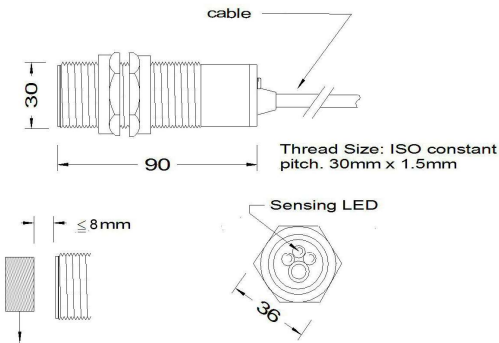
Detection & Control
in Action

Proximity Sensor Type:

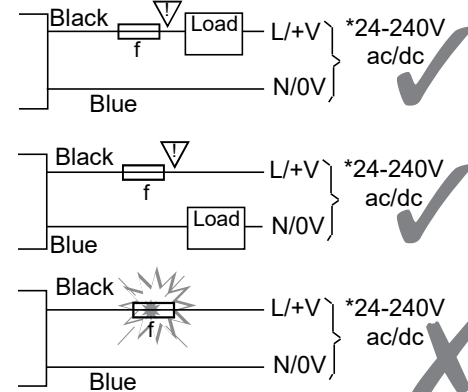
ID1TZA1 Code: 840-015

IE1TZA1 Code: 840-016

Dimensions - mm



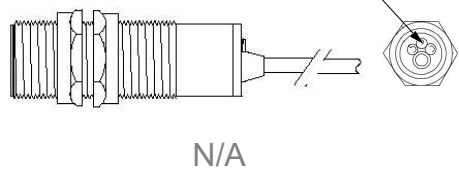
Connections



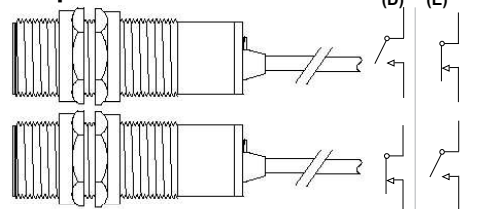
NOTE: f= 1500A Capable fuse
500mA max. rating)
1 fuse per unit **MUST** be used.

*Load must have the same voltage rating as supply
being used. Supply polarity is not important.

Output Mode Selection



Output Mode



Approval



Approval No:
IECEXBAS12.0118X
Baseefa12ATEX0226X
Ⓜ II 1GD Ex ma IIC T4 Ga Ex ma IIIC
T200110°C Da Tamb -15°C to +50°C IP66

Specification

Supply V 24-240V ac/dc.
I. min 1.0 mA.
V. drop 5.5V max.
Output Rating .. 100 mA max.
Max. Speed 100 Hz.

->IX1TZA1-MAN M2565(D)



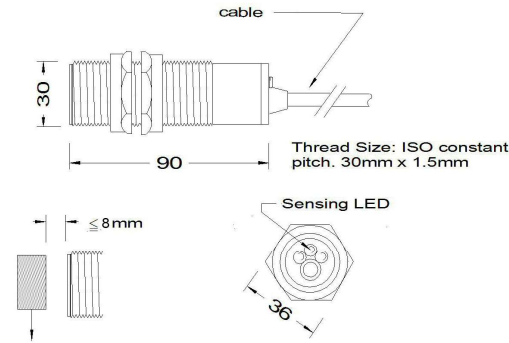
Detection & Control
in Action

Proximity Sensor Type:

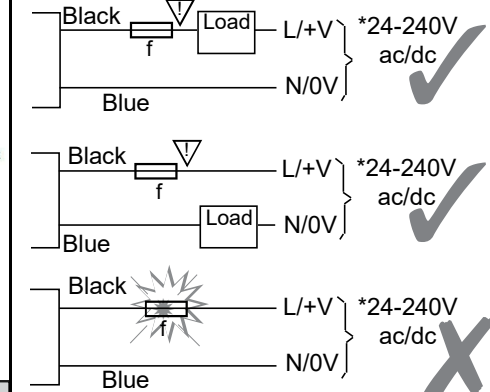
ID1TZA1 Code: 840-015

IE1TZA1 Code: 840-016

Dimensions - mm



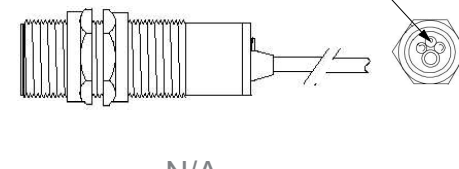
Connections



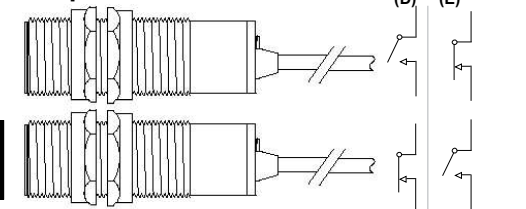
NOTE: f= 1500A Capable fuse
500mA max. rating)
1 fuse per unit **MUST** be used.

*Load must have the same voltage rating as supply
being used. Supply polarity is not important.

Output Mode Selection



Output Mode



Approval



Approval No:
IECEXBAS12.0118X
Baseefa12ATEX0226X
Ⓜ II 1GD Ex ma IIC T4 Ga Ex ma IIIC
T200110°C Da Tamb -15°C to +50°C IP66

Specification

Supply V 24-240V ac/dc.
I. min 1.0 mA.
V. drop 5.5V max.
Output Rating .. 100 mA max.
Max. Speed 100 Hz.

->IX1TZA1-MAN M2565(D)



DECLARATION OF CONFORMITY

We, the undersigned, on behalf of Synatel Instrumentation Limited, hereby declare the products listed below conform to the relevant provisions of the legislation, as well as pertinent clauses of the standards and other normative documents mentioned herein.

EQUIPMENT DESCRIPTION: 30 MM AI SERIES OF PROXIMITY SWITCHES PRODUCT NAMES: IDE1TXXAI,PU1TXXAI,CXXTXXAI

ATEX DIRECTIVE 2014/34/EU
CERTIFICATE No. : Baseefa12ATEX0226X
ISSUED BY : SGS Baseefa, Staden Lane, Buxton, Derbyshire, SK17 9RZ
NOTIFIED BODY NO. : 1180
CATEGORIES :1G Ex ma IIC T4 Ga
:1D Ex ma IIIC T₂₀₀110°C Da
Tamb -15°C to 50°C , IP66
BS EN 60079-0 :2012 Explosive Atmospheres- General requirements
BS EN 60079-18 :2009 Equipment protection by encapsulation 'm'

SPECIFIC CONDITIONS OF USE

1. The supply circuit shall be protected by a suitably rated fuse capable of interrupting a short circuit current of 1500 Amps.
2. The external connections shall meet the requirements for EPL Ga in accordance with EN 60079-26 and EPL Da in accordance with EN 60079-31.
3. Warning: Potential static ignition risk, clean only with a damp cloth.
4. The integral cable shall be terminated in a suitably certified enclosure or in the safe area.

LOW VOLTAGE DIRECTIVE 2014/35/EU

BS EN 61010-1 :2010 General safety requirements for electrical equipment
BS EN60332-1-1 :2004 Single cable flame propagation test

EMC DIRECTIVE 2014/30/EU

BS EN 61000-6-3 :2007 Electromagnetic Compatibility - General Emission Standard
BS EN 61000-6-1 :2007 Electromagnetic Compatibility - General Immunity Standard

RoHS DIRECTIVE 2011/65/EU

Restriction Of The Use Of Certain Hazardous Substances In Electrical And Electronic Equipment Is Conformed To As Set Out In ANNEX II Of The Directive

NAME: DAVID WHEAT POSITION: DIRECTOR

SIGNED: 

ISSUE DATE : 20th APRIL 2016

SYNATEL INSTRUMENTATION LTD. Walsall Road, Norton Canes, Cannock, Staffordshire. WS11 9TB England



DECLARATION OF CONFORMITY

We, the undersigned, on behalf of Synatel Instrumentation Limited, hereby declare the products listed below conform to the relevant provisions of the legislation, as well as pertinent clauses of the standards and other normative documents mentioned herein.

EQUIPMENT DESCRIPTION: 30 MM AI SERIES OF PROXIMITY SWITCHES PRODUCT NAMES: IDE1TXXAI,PU1TXXAI,CXXTXXAI

ATEX DIRECTIVE 2014/34/EU
CERTIFICATE No. : Baseefa12ATEX0226X
ISSUED BY : SGS Baseefa, Staden Lane, Buxton, Derbyshire, SK17 9RZ
NOTIFIED BODY NO. : 1180
CATEGORIES :1G Ex ma IIC T4 Ga
:1D Ex ma IIIC T₂₀₀110°C Da
Tamb -15°C to 50°C , IP66
BS EN 60079-0 :2012 Explosive Atmospheres- General requirements
BS EN 60079-18 :2009 Equipment protection by encapsulation 'm'

SPECIFIC CONDITIONS OF USE

1. The supply circuit shall be protected by a suitably rated fuse capable of interrupting a short circuit current of 1500 Amps.
2. The external connections shall meet the requirements for EPL Ga in accordance with EN 60079-26 and EPL Da in accordance with EN 60079-31.
3. Warning: Potential static ignition risk, clean only with a damp cloth.
4. The integral cable shall be terminated in a suitably certified enclosure or in the safe area.

LOW VOLTAGE DIRECTIVE 2014/35/EU

BS EN 61010-1 :2010 General safety requirements for electrical equipment
BS EN60332-1-1 :2004 Single cable flame propagation test

EMC DIRECTIVE 2014/30/EU

BS EN 61000-6-3 :2007 Electromagnetic Compatibility - General Emission Standard
BS EN 61000-6-1 :2007 Electromagnetic Compatibility - General Immunity Standard

RoHS DIRECTIVE 2011/65/EU

Restriction Of The Use Of Certain Hazardous Substances In Electrical And Electronic Equipment Is Conformed To As Set Out In ANNEX II Of The Directive

NAME: DAVID WHEAT POSITION: DIRECTOR

SIGNED: 

ISSUE DATE : 20th APRIL 2016

SYNATEL INSTRUMENTATION LTD. Walsall Road, Norton Canes, Cannock, Staffordshire. WS11 9TB England