

Interceptor 4 series photoelectric units

The Synatel Interceptor 4 Series is designed as a low-cost, non-contact photoelectric switching system with either relay or solid-state (opto-isolated) output. Both Through Beam and Retro-Reflex versions are available and standard units are suitable for 115 volts or 240 volts 50/60 Hz ac or 24 volts dc supplies.

Solid state modulated infra-red techniques are used in the Interceptor 4 units to provide long term reliability and freedom from ambient light interference, combined with an ability to penetrate dusty atmospheres. An LED Indicator is fitted to assist in alignment and the units are mounted on a two axis adjustable mounting cradle.

■ **Low cost photoelectric switch unit**

■ **Modulated infra-red, solid-state design**

■ **Relay or solid state (opto-isolated output)**

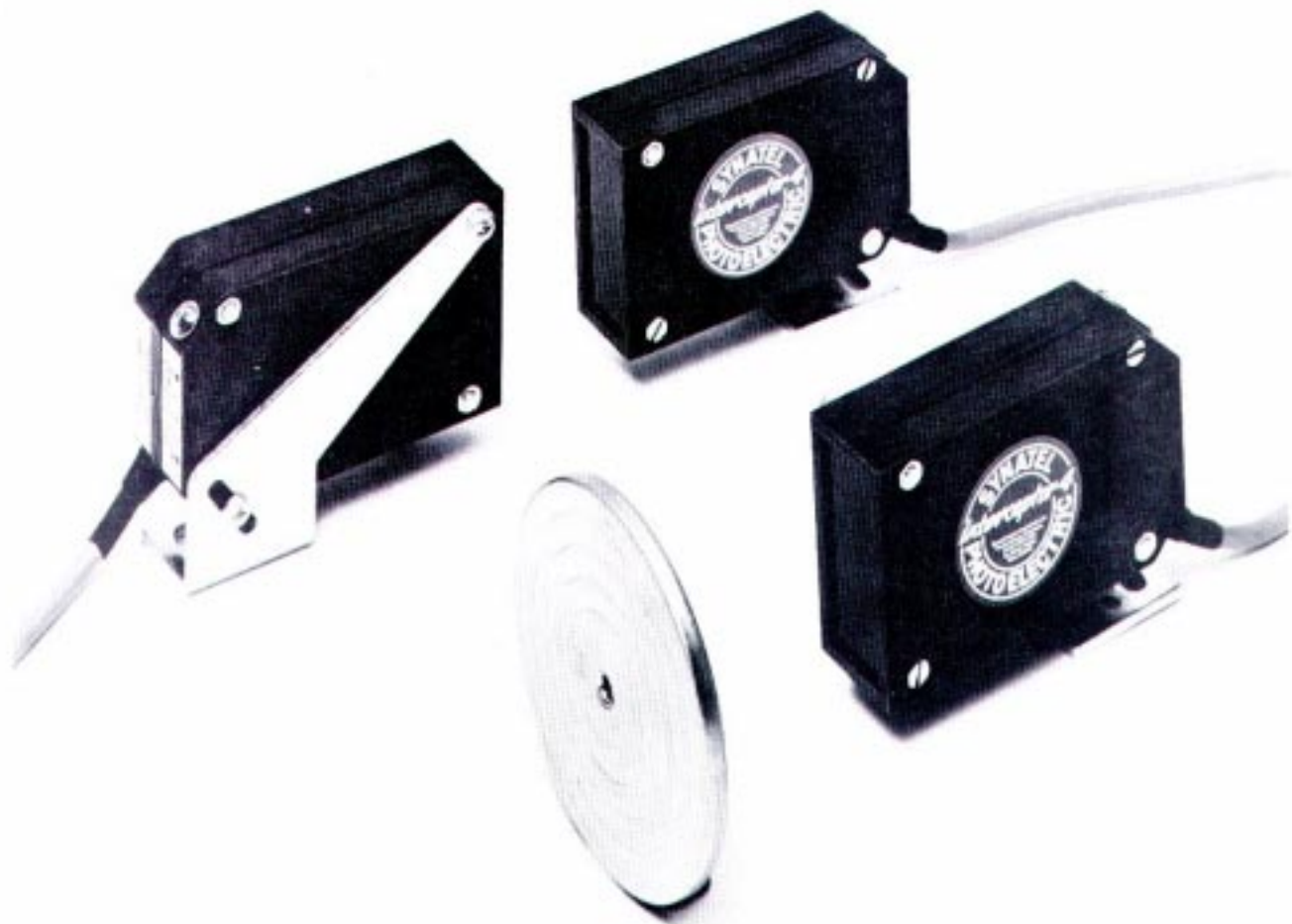
■ **Range 4 metres, retro-reflex mode or 6 metres, through-beam**

■ **Models for 110V or 240 volts ac and 24V dc**

■ **Adjustable two axis mounting**

■ **LED alignment indicator**

■ **Compact and simple to instal**



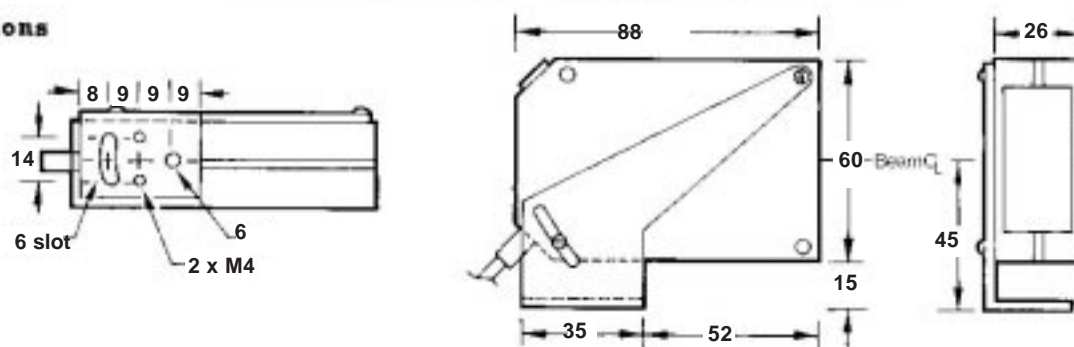
General Specification

- Supply:** Either 115 volts or, alternatively 240 volts 50/60Hz single phase ac supplies or 24 volts dc supplies (other ac voltages and 12 volts dc to special order).
- Supply Tolerance:** - 15% + 7½% about specified nominal voltages.
- Ambient Temperature:** - 10°C to + 50°C.
- Operating Speed:** 600 operations per minute on a 1 : 1 mark-to-space ratio.
- Operating Range:**
- (1) Retro-Reflex variations:- up to 4 metres between reflector and sensor when used with the Synatel approved reflectors.
 - (2) Through Beam variation:- up to 6 metres between the Emitter and Receiver units.
- Indicator:** Beam Made LED Indicator
- Enclosure:** Injection Moulded Polyester Compound, protection to IP.54.
- Mounting:** Mounting cradle with 2 axis adjustment.
- Output:**
- (1) Head Units coded 4RR and 4RH - Relay with one pair of voltage free changeover contacts rated at 2.5 amperes 240 volts 50/60Hz ac.
 - (2) Head Units coded 4RR/OS and 4RH/OS Opto isolator. Maximum current 30mA at maximum 45 volts dc.
- Connections:**
- (1) To Retro-Reflex variations, by five core, colour coded connecting lead, 2 metre leads supplied as standard.
 - (2) To Through Beam Receivers, by five core, colour coded connecting lead. To Through Beam Emitters by twin core, colour coded cable. 2 metre leads are supplied as standard.
- How to Order:** Select the required mode of operation and output from the table below, specify supply voltage and order by the code indicated in the table. Retro-Reflex variations require an approved reflector; specify 85mm diameter disc or 35mm disc reflectors or 150 × 15mm reflector strips.

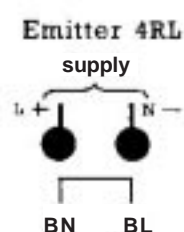
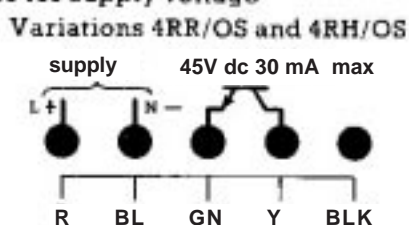
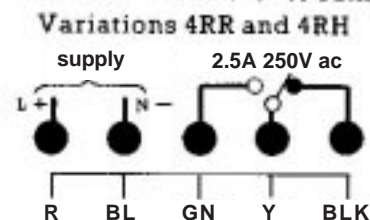
Mode of Operation	Ordering Code	
	Relay Output	Solid State Output
Retro-Reflex Head	4RR	4RR/OS
Through Beam Receiver Head	4RH	4RH/OS
Through Beam Emitter Head	4RL	4RL

In all cases, please specify supply voltage ac OR dc.

Dimensions



Connections - Refer to rating plate for supply voltage



Colour Code	
BL	BLUE
BLK	BLACK
GN	GREEN
R	RED
Y	YELLOW