

**Modular Fixed Point  
Capacitance Level Sensor  
FPC5 SERIES  
(NDP1 & FLT1R-T)**

The FPC5 range of level controllers comprise a probe head unit and a remote mounting, plug-in control module. The equipment provides high, intermediate or low level indication of liquids and granular solids stored in hoppers, silos and other containers.

### PROBE HEAD UNIT

The NDP1 probe head is housed in a cast aluminium enclosure with a stainless steel probe. The unit is suitable for top or side entry into containers via a 1 inch BSP stainless nipple for use with liquids or solids such as sand, cement, grain etc. The standard probe length is 300mm but longer probes can be supplied to order. The probes can also be provided to order, with an insulating coating.

### REMOTE MOUNTING CONTROL MODULE

The control module is a compact, plug-in unit with an international

11 pin base. It can be located up to 200 metres from the probe unit and connected via ordinary, unshielded cable.

The control module is designed for 110/230 volts 50/60Hz supplies and provides a 24 volts DC supply to the probe. The output from the module comprises a set of voltage free, change-over contacts. Fail-to-safe in either a high or low level mode is selected by a solder link.

A built-in adjustable time delay is included to prevent spurious operation from turbulence, liquid splashing etc.

A control module is required for each level. All modules are factory preset to 'fail safe' on High Level conditions unless specified otherwise. The module is fitted with a red LED indicator which illuminates on relay energisation.

- \* **Encapsulated, Vibration Proof, Probe Units**
- \* **Plug-in Control Modules, located up to 200 metres from the probes.**
- \* **Low Voltage Supply to the Probes**
- \* **Probe/Module interconnections in ordinary, unshielded, cable.**

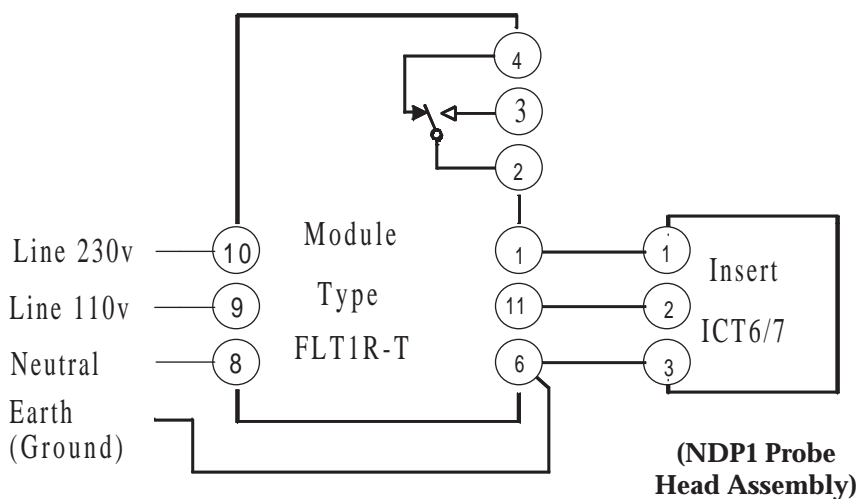
# SPECIFICATION

FPC5	
<b>Supply</b>	110/230 volts AC 50/60Hz.
<b>Supply Tolerance</b>	-15% to +7½% about nominal voltage
<b>Sensitivity Range</b>	20-2000 picofarads (three ranges)
<b>Sensitivity</b>	1 picofarad change
<b>Ambient temperature</b>	-15°C to +50°C
<b>Output</b>	One set changeover contacts rated at 5 amps 240 volts ac non-inductive
<b>Fail-safe Modes</b>	High (FLT1RHT) or low (FLT1RLT) level
<b>Time Delays</b>	Adjustable time delays are fitted to the module. Standard time range is 3-30 seconds. Other delay periods are 0-3s, 1.5-15s or 6-60s.
<b>Delay modes</b>	Switch selected on top of the module for material either making of breaking contact with the probe as required.
<b>Connections</b>	11 pin plug-in relay base.
<b>Indication</b>	Output (relay) energised (On).
<b>Enclosure</b>	NDP1 - Alloy enclosure with Stainless steel mounting thread and probe rod. PVC bung assembly.
<b>Protection</b>	NDP1 - IP66.      FLT1R_T - IP40
<b>Weight</b>	NDP1 Level Probe - 300mm - 1.5Kg    1Mtr - 2.5Kg      2Mtr - 4.0Kg FLT1R_T Module - 275Grammes

### HOW TO ORDER:-

1. Specify module ie **FLT1RHT** (high level fail-safe) or **FLT1RLT** (low level fail-safe) + time delay required.
2. Specify probe type **NDP1**, specify length (standard is **300mm**).
3. Note 11 pin bases/wall mounting enclosure available separately, (See accessories section D7000).

### CONNECTIONS



Detection & Control  
in action