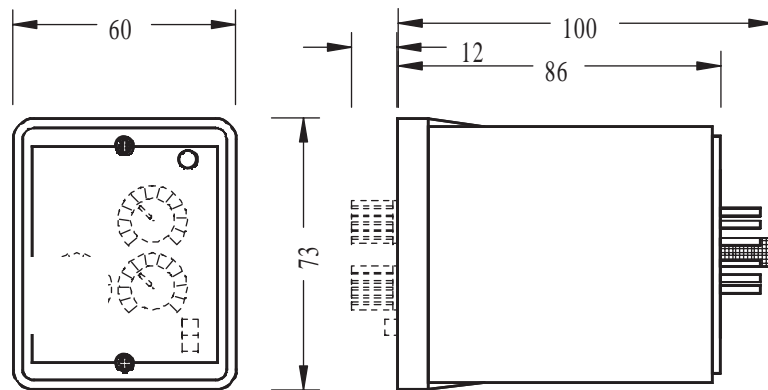
**DIMENSIONS - Control Module**

Modular Control System
I.S. Approved
 for use with Zener Barriers.
 BASEEFA Cert. No.
 BAS. EX. 852191

A fully certified modular photo-electric system, with heavy duty transmitter and receiver heads, for use in gas hazard areas. The system is certified for zone 1 use.

All control modules are supplied as 11 pin plug in units. 11 pin bases for backplate or Din rail mounting are available.

Standard control units operate from 110/230V ac. Other voltages are available to special order.

The emitter and receiver heads are installed in the hazardous area and wired to the safe area, connected to the control module via approved zener barriers

A typical example is paint spraying within industrial premises, where the vapours from the flammable solvents

are removed by ventilation, but a risk remains of potentially dangerous concentrations within the vicinity of the work piece. The certified photo-electric system can be used to detect the items to be sprayed. Mounting emitter & receiver heads within the hazardous area, whilst mounting the barriers & modules within a 'safe' area.

- * **BASEEFA Approved for I.S. use**
- * **Optional Time Delay & Sensitivity Control**
- * **Plug in modules for ease of replacement in maintenance situations**

SPECIFICATION

Supply	110/230V ac 50/60Hz (Other supplies to order, see unit label).
Supply Rating	3VA
Output	Relay-240V 5A max., Opto Isolated Transistor-30V dc 100mA max.
Output Mode	Normally de-energised (Off) with beam broken. For reverse operation, normally On with beam broken, add suffix 'X' after type number.
Ambient Temperature	-10°C to +50°C
Separation/Zener Barriers	2 off required. Twin channel 28V-300Ω/10V-50Ω.
Operating Speed	Maximum speed = 5 per second. <i>This may be reduced slightly if using a control module with time delay facility fitted, even when timer set at minimum. (Suffix 'T').</i>
Operating Range	10 Metres maximum.
Connections	11 pin plug-in relay base.
Sensitivity Control	When fitted, 0 to 100%
Time Delays	When fitted, 1.5 to 15 seconds. Other delay periods to order. See unit label.
Indication	Output energised (On) LED.
Enclosure	Module: Aluminium top-plate and moulded ABS side case. Heads: Cast aluminium.
Protection	Module: IP40. Heads: IP64.
Weight	Module: 330 grammes. Heads (each): 900 grammes.

HOW TO ORDER:-

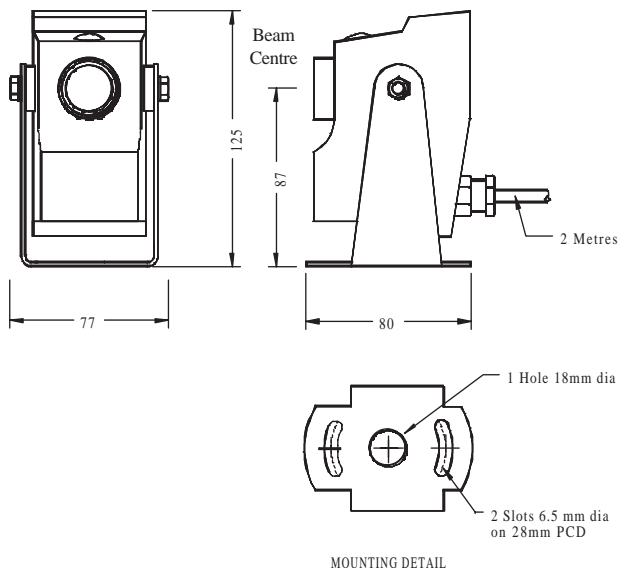
SPECIFY UNITS REQUIRED AS SELECTED FROM CHART BELOW (quote model number):-

Note: 11 pin bases available separately, (See Accessories Section 7000).

CONNECTIONS

The System must be wired in accordance with Synatel certified drawing number A3-9433 (available on request).

DIMENSIONS - Heads



I.S. Unit Type	Model/Ordering Code
Module	SSMA/3943 or SSMAGT/3943 (See general specification for characteristics of module).
Emitter Head	SSL26S/3939
Receiver Head	SSR26S/3864
Zener Barriers	Twin channel 28V-300Ω/10V-50Ω. (1 per head required.)
<p>Note: Gain Control (Sensitivity) (Suffix 'G') When fitted, adjustable 0 to 100%.</p> <p>Time Delays: (Suffix 'T') When fitted. SYNATEL standard time delay is 1.5 to 15 seconds. Other time delays available to order are: 0.3 to 3 seconds, 3 to 30 seconds and 6 to 60 seconds. (see label on unit).</p>	