

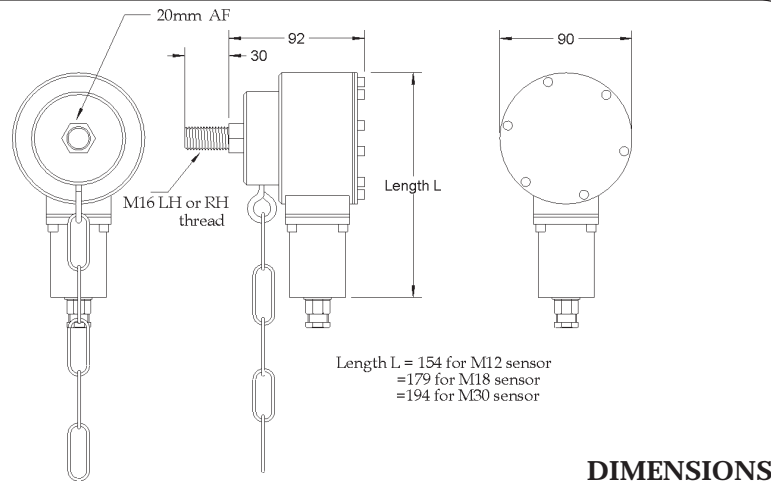
SPECIFICATION

FIXING	M16 x 2mm stainless steel shaft, left or right handed thread.
MECHANICAL RESTRAINT	Stainless steel chain.
MATERIAL	Stainless steel throughout.
BEARING	Twin, single deep groove stainless ball races sealed for life.
SPEED MONITORS	Any Synatel barrel type monitors can be used, plus a wide range of 12, 18 and 30mm inductive proximity sensors.
MAXIMUM SPEED	3000 RPM.
TARGETS	1, 2, 4 or 8 pulses/revolution available.

HOW TO ORDER:- Select from the following options:

WGHD 4	12	R
No of Pulses	Sensor Size	Mounting Thread
1	M12 - 12	R - M16 Right Hand
2	M18 - 18	L - M16 Left Hand
4	M30 - 30	
8		

for example: **WGHD4-12-R** gives a Whirligig with **4 pulses** per revolution, fitting for an **M12 sensor** and an **M16 right hand thread**.



Synatel Instrumentation Ltd., Walsall Road, Norton Canes, Cannock, Staffordshire, WS11 9TB UK.
Tel: +44 (0) 1543 277003. Web: www.synatel.co.uk e-mail: sales@synatel.co.uk

Quarry or Mine?



**If you use speed sensors
then you need one of these.**
NEW **The Heavy Duty Whirligig**
The tough way to detect rotation!

Available from:

Manufactured
in the UK

SYNATEL

cannock . staffordshire . WS11 9TB
tel: +44 (0) 1543 277003 * web: www.synatel.co.uk