

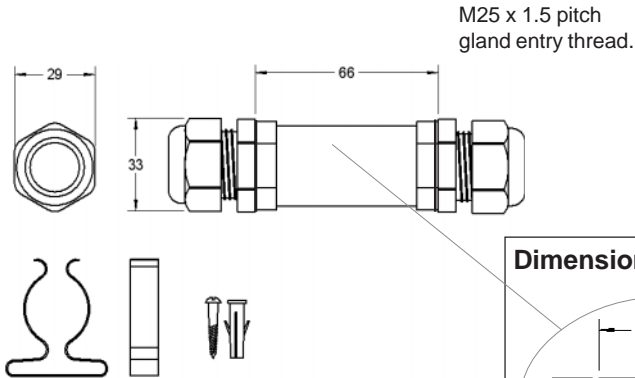
SYNATEL

SYNATEL INSTRUMENTATION LTD., WS11 9TB ENGLAND . Tel: +44 (0) 1543 277003 . Fax: +44 (0) 1543 271217
 web: www.synatel.co.uk * e-mail: sales@synatel.co.uk

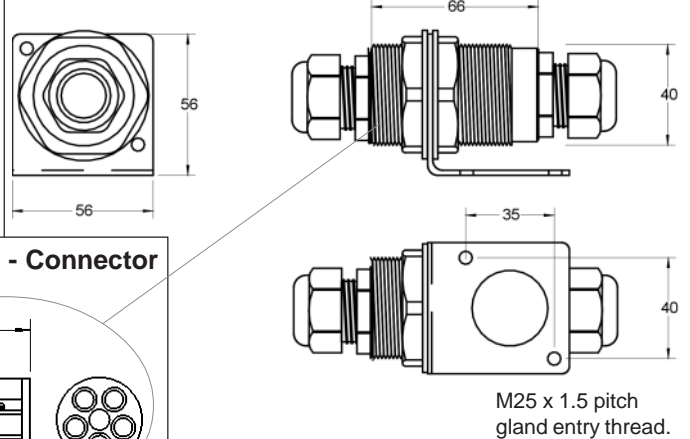
Moulded M (standard) A N T P
 Acetal Nylon Teflon Polycarbonate

SYNATEX D5 TERMINAL CONNECTOR

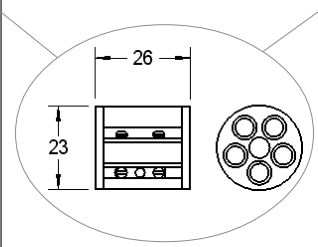
Dimensions



Dimensions



Dimensions - Connector



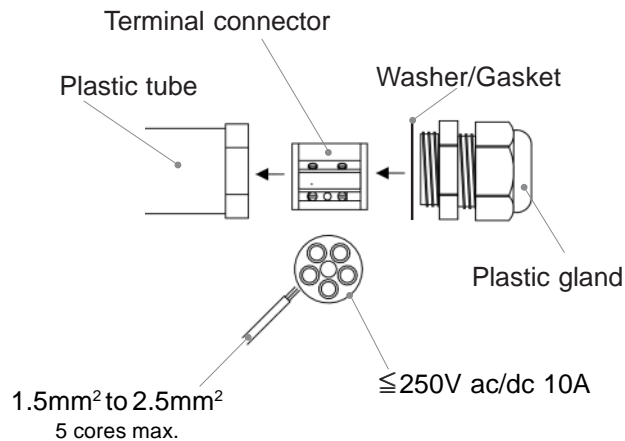
Order: **SYNATEX D5M**

Order: **SYNATEX D5X**

X = Material Code:

A = Acetal, P = Polycarbonate, N = Nylon, T = Teflon
i.e. for SYNATEX D5 with Acetal body (stock machined unit), order SYNATEX D5A

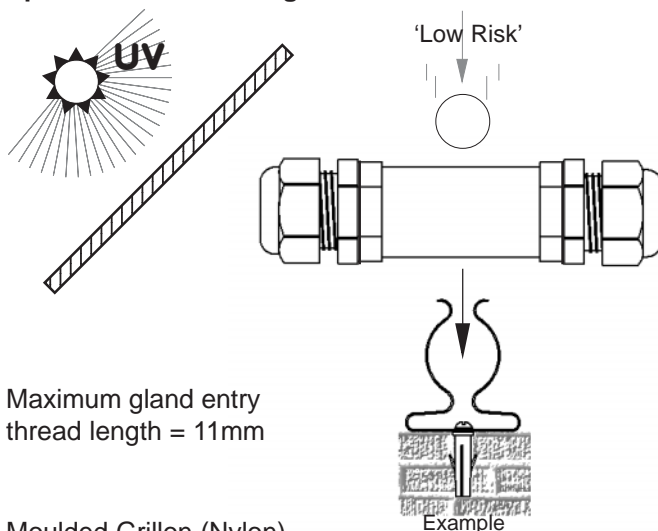
Connections - (all types)



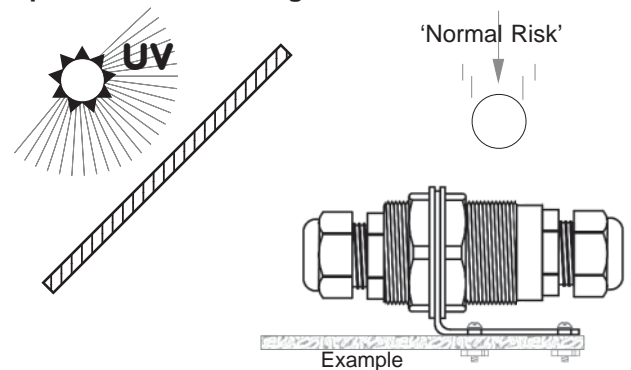
Approval/Special Conditions - (all types/materials)

- Baseefa05ATEX0110X 250V 10A**
 Ⓢ II 1D Ex tD A20 IP66 T100°C Tamb -15°C to +50°C*
 *(When used with supplied glands or customers own Cat1 glands).
- 1) Suitably certified ATEX plastic glands/stopping plugs **SHALL** be used at all times.
 - 2) **DO NOT** use connectors under dust layers >50mm.
 - 3) The end user **MUST** ensure that permanently wired & suitably clamped cable is used at **ALL** times.
 - 4) **ALL Pflitsch glands & CEAG M16 glands are ONLY** suitable for **LOW RISK** use.

Specification/Mounting/Protection - SYNATEX D5M



Specification/Mounting/Protection - SYNATEX D5X



NOTE: Acetal bodies - for 'Normal Risk' impact protection, unit must be mounted in supplied bracket as shown, otherwise the body is limited to 'Low Risk' impact protection.

X - Machined A = Acetal, P = Polycarbonate, N = Nylon, T = Teflon, M30 x 1.5mm pitch thread (external)