

**Remote, Fixed Point, Level
Control System for vibration &
high temperature (up to 250°C)
applications
DMR1**

The Digimatic DMR1 is a fixed point level measuring system comprising a remotely mounted probe and separate control unit. The control unit, which may be mounted up to 200 metres from the probe, incorporates all adjustment and calibration facilities.

The remotely mounted probe normally contains an encapsulated electronic insert. If necessary, the insert can be external to the probe and connected via a short length of screened cable.

The Digimatic DMR1 is ideal for installations where accessibility, vibration, space restriction or temperature prevent the use of a self contained version.

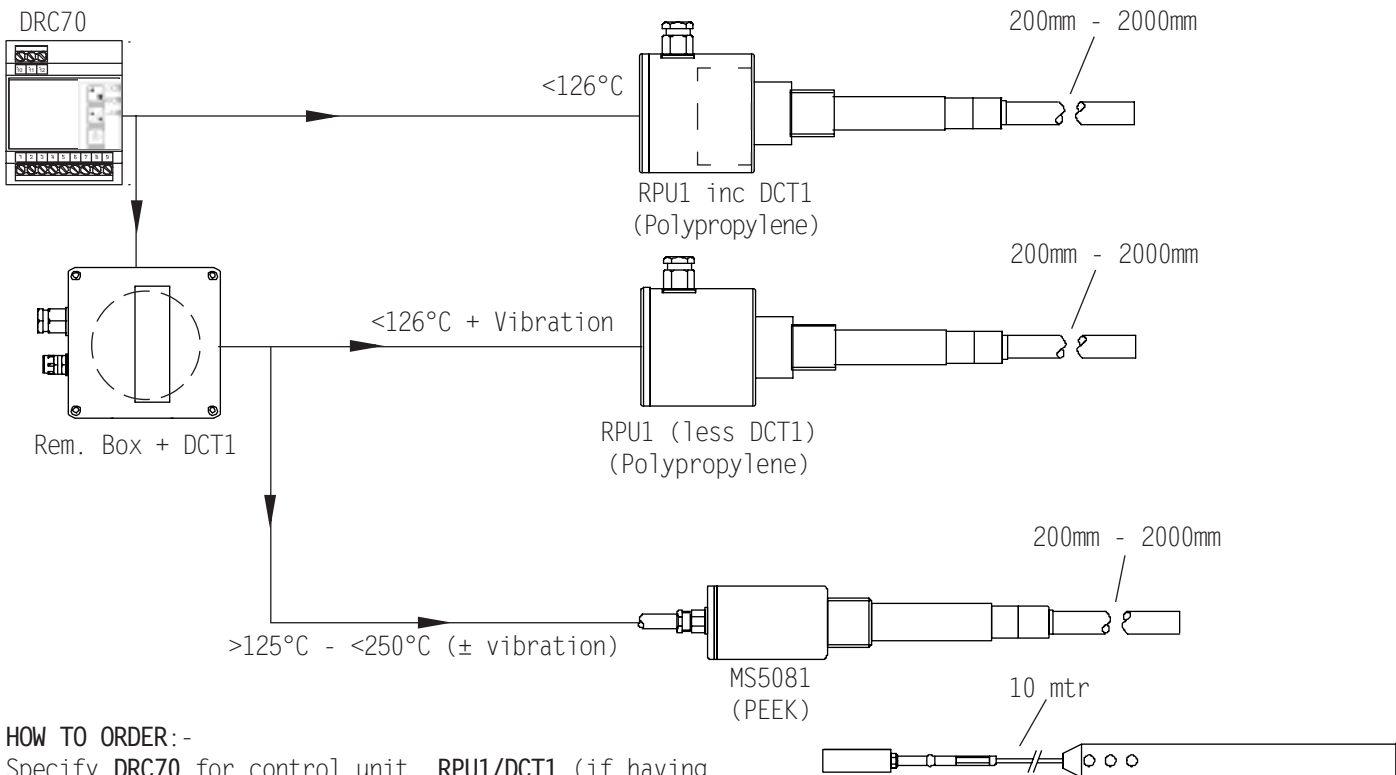
Most Digimatic features are retained, including full auto/manual calibration and, with most probe assemblies, the 'Power Shield' which minimises the effect of residual material sticking to the probe.

- * **Designed for installations where vibration or temperatures up to 250°C are present**
- * **Fully remote, Control unit can be mounted up to 200 metres from probe head**
- * **Powershield, eliminates false tripping from viscous materials adhering to probe rod**
- * **24V dc & 110/230V ac supplies**

SPECIFICATION

DMR1 Overall Specification	
<i>DRC70 Control Unit</i>	
Protection: Enclosure: Mounting: Voltage: Rating: Operating Temperature: Output: Time Delay: Max.distance between control unit and probe assembly:	IP44. Moulded. Din Rail. 24V dc, 110V/230V ac 50/60 Hz (+7½% -15%). 2.5VA. -10 to + 45 C. S.P.C.O. contacts rated at 2.5A 240V non-inductive. 0 - 129 second variable. Set via membrane keypad. Delay applies when material arrives and leaves the probe. 200 Metres in 2 core screened cable.
<i>Probe Assembly Type (Typical)</i>	(Contact sales dept. for detailed specification).
Temperature: Protection: Material: Earth Bonding: Probe Length: Probe Electronic Insert Type: Max. distance between remote insert and probe head: Mounting:	Polypropylene up to 150°C. Peek up to 250°C. IP65. Polypropylene and stainless steel or PEEK and stainless steel. Earth connection must be bonded to metalwork of container. 100mm, 200mm, 1 metre, 2 metre or 10 metre wire rope. (Stainless steel). DCT1. 500mm in single core screened cable. 1" BSP Parallel male.

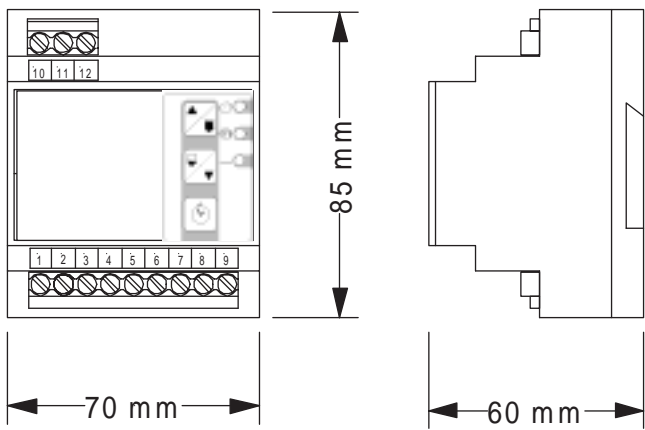
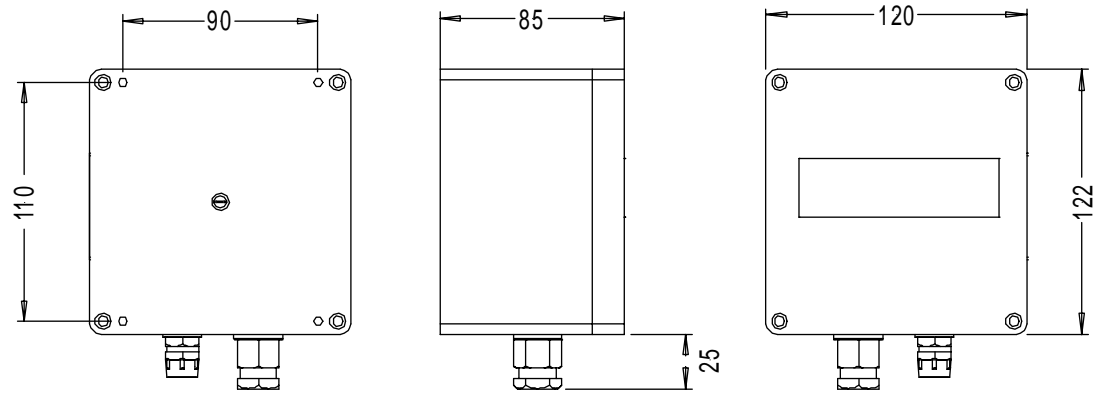
Selection Guide



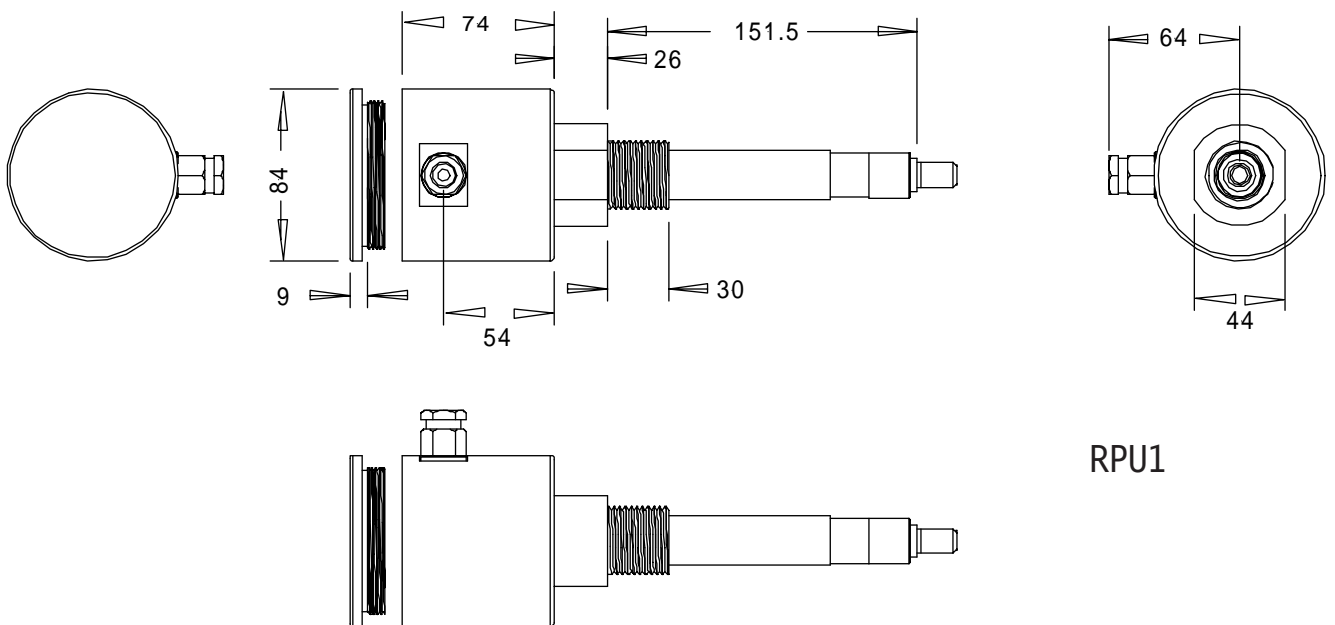
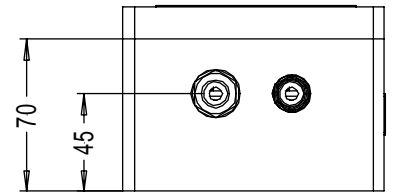
HOW TO ORDER:-

Specify **DRC70** for control unit, **RPU1/DCT1** (if having probe head with DCT1 included), or **DCT1/REM** + suitable remote probe head to suit temperature. Plus probe rods as required.

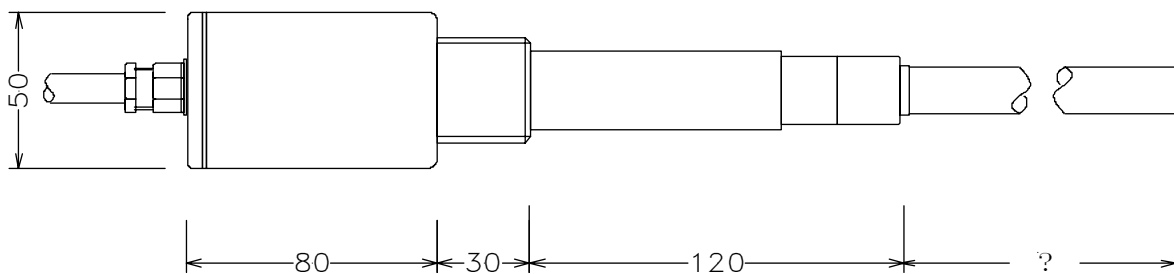
DCT1/REM



DRC70



RPU1



MS5081