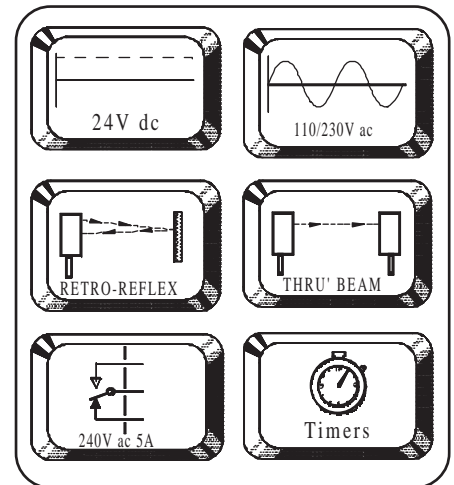
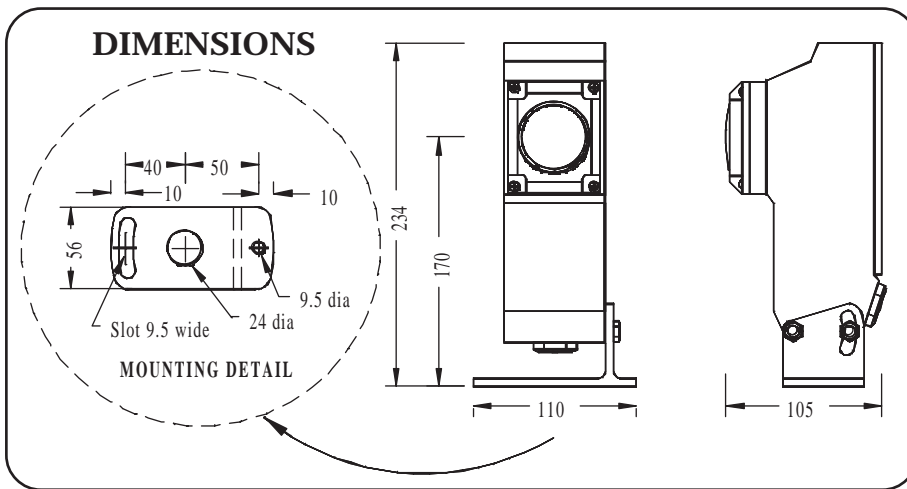


PHOTOGRAPH NOT AVAILABLE



DIMENSIONS



**SYNAFLEX
Retro-reflex & Through Beam
'S' Series**

The S series SYNAFLEX are heavy duty sensors housed in cast aluminium enclosures, particularly suitable for arduous conditions. The Through beam version (PT2SR/PL2SV) operates upto a maximum distance of 75 metres, and the Retro-reflex version (PP2SR) operates upto a maximum distance of 5 metres.

The Synaflex units are available for operation from 24V dc, 110/230V ac supplies. Units have 2 sets of S.P.C.O. relay outputs with sensitivity control and adjustable (0 to 5 seconds) time delays for both beam make and beam break. The output of the SYNAFLEX is normally Off, switching On when beam is made. All units are supplied with mounting bracket.

LED indication for alignment strength and output operation is provided for maintenance purposes. (The through beam emitter (PL2SV) has power on and emitter device working indication).

The SYNAFLEX enclosure is made from cast aluminium for strength and durability. The through beam units are ideally suited for exterior applications such as coal wagon detection and the polarised retro reflex unit is ideal for brewery or heavy duty conveyor use.

- * **Multivoltage Operation**
- * **Heavy Duty Cast Aluminium Enclosure**
- * **2 Sets of Relay Output Contacts**
- * **Supplied with Mounting Bracket**

SPECIFICATION

Supply	110/230V ac and 24V dc.
Supply Rating	3VA ac or 40mA dc.
Output	2 sets S.P.C.O. Relay contacts rated 5A 240V ac non inductive.
Output Mode	Normally Off, switching On when beam made.
Ambient Temperature	-10°C to +50°C.
Mounting	Bracket supplied
Operating Speed	5 per Second maximum.
Operating Range	Retro-reflex (PP2SR) 5 metres maximum. Through beam emitter and receiver (PL2SV/PT2SR) 75 metres maximum.
Sensitivity Control	0 to 100%.
Time Delay	0 to 5 Seconds on Beam Make and Beam Break.
Connections	Screw terminal connection accessed via cable gland.
Indication	(PP2SR/PT2SR) Alignment strength and output energised (On). (PL2SV) Power On and Emitter device working.
Light Source	Visible Red LED.
Enclosure	Heavy Duty Cast Aluminium.
Protection	IP65.
Weight	1.5Kg each.

HOW TO ORDER:-

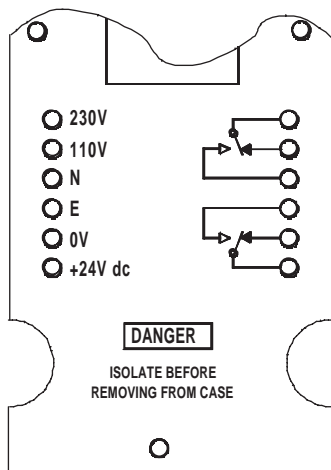
SPECIFY SYNAFLEX PLUS STATE MODEL: **PP2SR** for retro-reflex.

PL2SV for through beam emitter or

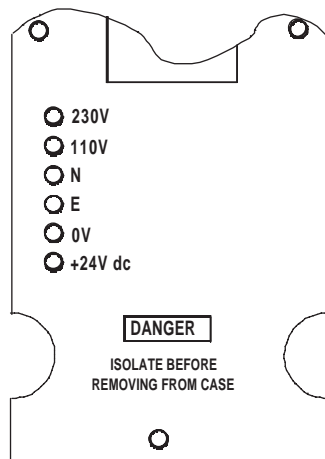
PT2SR for through beam receiver.

Note: **Reflector Discs** required for retro-reflex units to be **ordered seperately**. (See Accessories section 7000).

CONNECTIONS



PP2SR (retro-reflex) &
PT2SR (receiver)
Connections



PL2SV (emitter)
Connections



Detection & Control
in action