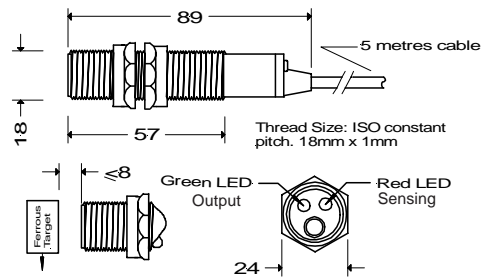


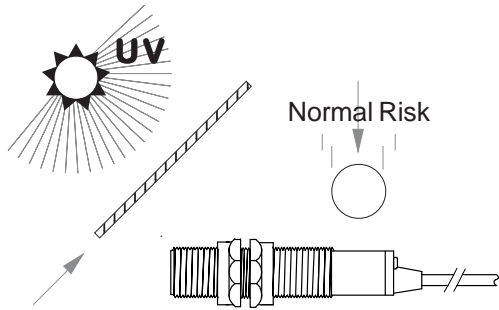


ATEX Approved Stopped Motion Monitor Type: **SU1MZ(A)**

Dimensions - mm



Protection



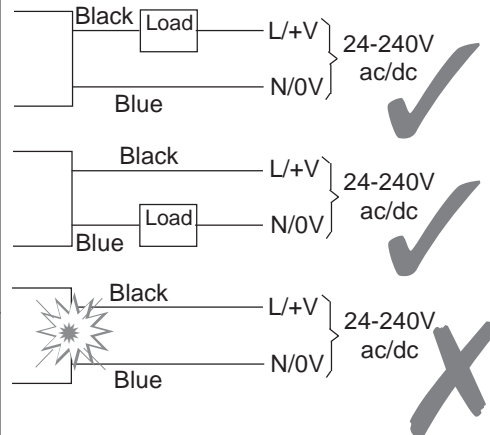
Approval



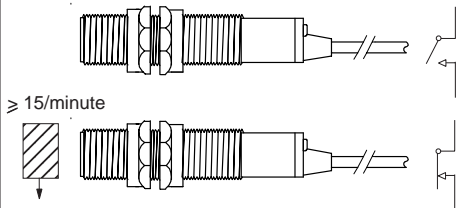
Approval No:
Baseefa03ATEX0589X

Category:
Ex II 1D T100°C Tamb -15°C to +50°C IP65

Connections



Output Mode



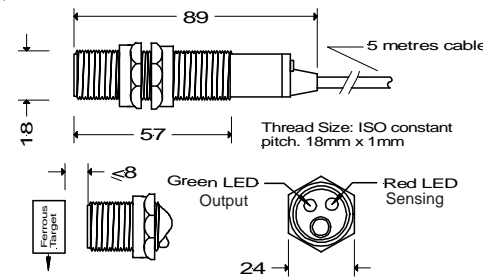
Specification

Supply V 24-240V ac/dc.
I. min ≤ 1 mA.
V. drop 5V max.
Output Rating ... 150 mA max.
Max. Speed 100 Hz.

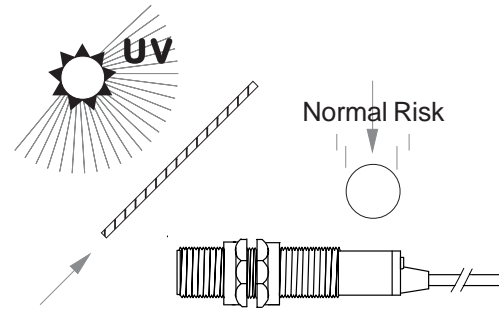
->SU1MZZATEXMAN 646-044(A)

ATEX Approved Stopped Motion Monitor Type: **SU1MZ(A)**

Dimensions - mm



Protection



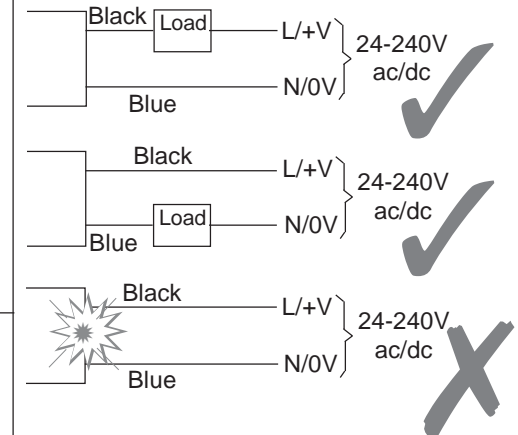
Approval



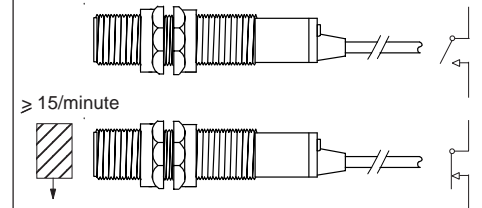
Approval No:
Baseefa03ATEX0589X

Category:
Ex II 1D T100°C Tamb -15°C to +50°C IP65

Connections



Output Mode



Specification

Supply V 24-240V ac/dc.
I. min ≤ 1 mA.
V. drop 5V max.
Output Rating ... 150 mA max.
Max. Speed 100 Hz.

->SU1MZZATEXMAN 646-044(A)