



A low cost electronic display which can be user programmed to indicate Speed, Distance or Time intervals. The unit incorporates a 4 digit red LED display with programmable auto decimal point, in a DIN 96x48mm enclosure (panel cut-out size: 92x44mm). A relay output is provided for Speed control use. Choose your function from Chart (1), Amend programme (2), set switches to required mode (3).

1

Internal Rotary Selector Switch	
Position	Function
0	Tachometer (Revolutions/Min.)
1	Tachometer (Revolutions/Sec.)
2	Tachometer (Revolutions/Hr.)
*3	Line Speed Indicator (Metres/Min.)
*4	Line Speed Indicator (Yards/Min.)
5	Interval Timer (Seconds/Rev.)

Turn power off for 10 sec & then back on for changes to take effect.

2 Programme Settings

To enter programme mode, press & hold 'SET' button for 2 sec. subsequent presses will index to the next function.

Run Mode 0000 NOTE: ensure switch **B** is in up position.
Press for 2 sec.

No. pulses/rev P001 PPR: Pulses per rev.
Set by & keys
Press

***Wheel Dia.** d001 Diameter: 1-999 mm
Set by & keys
Press
*Rotary switch positions 3&4 only

Trip Level 0000 Trip Level
Set by & keys
Press

Sampling Time (sec.) t001 Time: 1-99 sec.
Set by & keys
Press twice

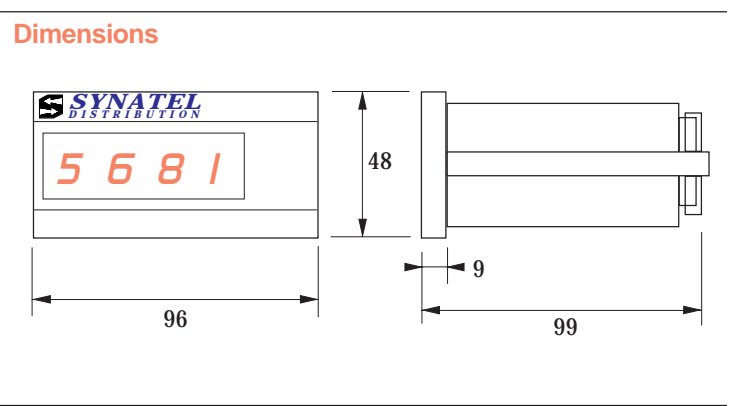
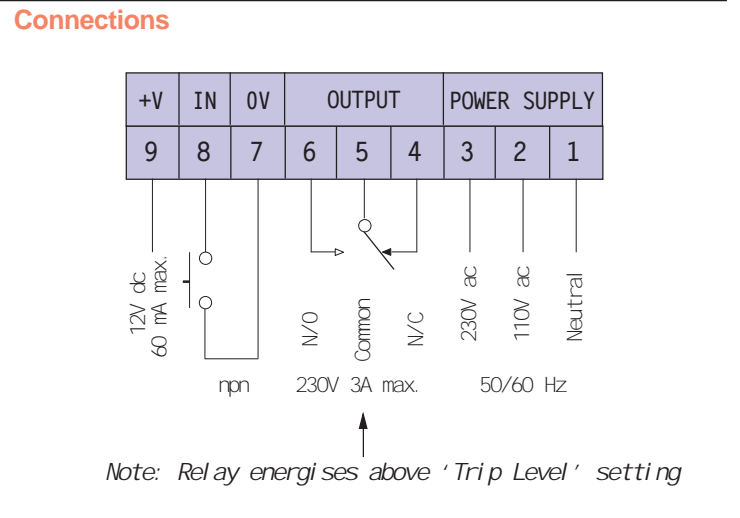
Ignore C00 or C01

3 Switch Settings

Carefully remove front bezel to access controls.

Lock out programming (down)
Allow Programming (up)

Not used keep in up position.



SYNATEL INSTRUMENTATION LTD.

Walsall Road, Norton Canes, Cannock, Staffordshire. WS11 3TB UK
 Tel: +44 (0) 1543 277003 * Fax: +44 (0) 1543 271217
 Web: www.synatel.co.uk * e-mail: sales@synatel.co.uk

MSD100MAN
M2449
649-001(B)