

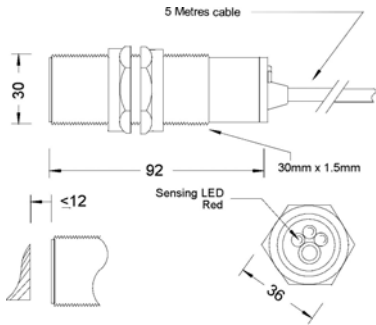


Detection & Control  
in Action

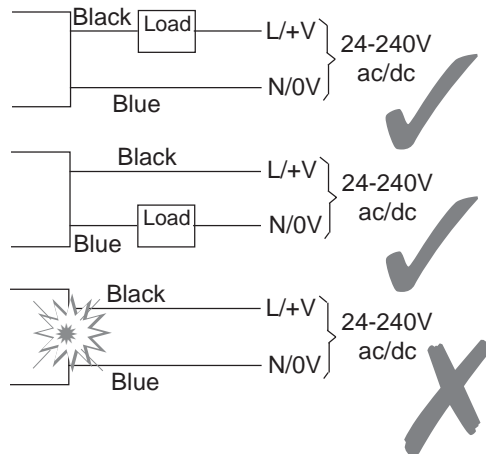
Proximity Sensor Type: **ID1TZA1** Code: 840-011

Proximity Sensor Type: **IE1TZA1** Code: 840-012

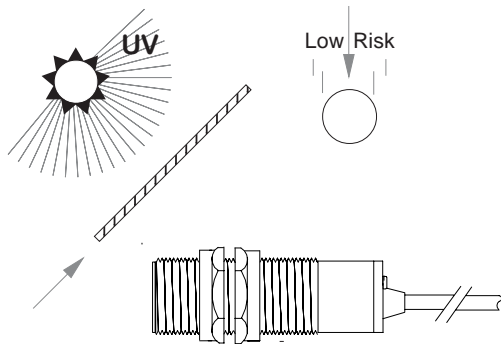
Dimensions - mm



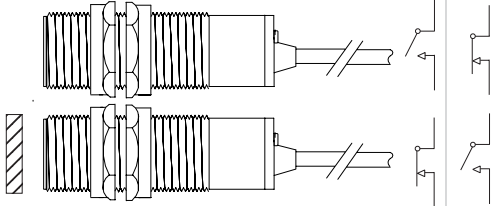
Connections



Protection



Output Mode



Approval



Approval No:  
**IECEXBAS04.0034X**  
TA100°C DIP A20

II 1D T100°C Tamb -15°C to +50°C IP65  
**Baseefa03ATEX0673X**

Specification

Supply V ..... 24-240V ac/dc.  
I. min ..... 0.55 mA.  
V. drop ..... 5.5V max.  
Output Rating ... 200 mA max.  
Max. Speed ..... 100 Hz.

->ID1TZA1-MAN 646-037(A)

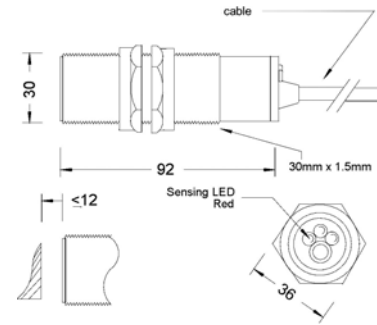


Detection & Control  
in Action

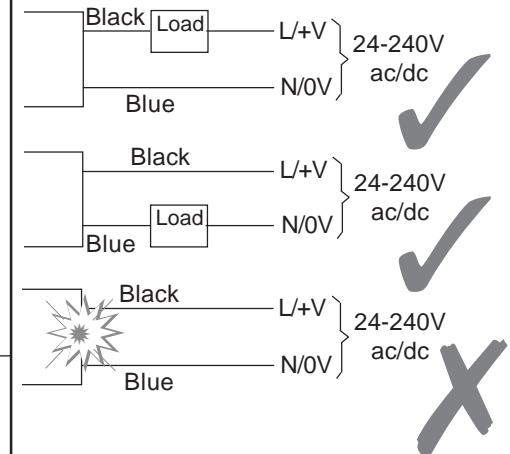
Proximity Sensor Type: **ID1TZA1** Code: 840-011

Proximity Sensor Type: **IE1TZA1** Code: 840-012

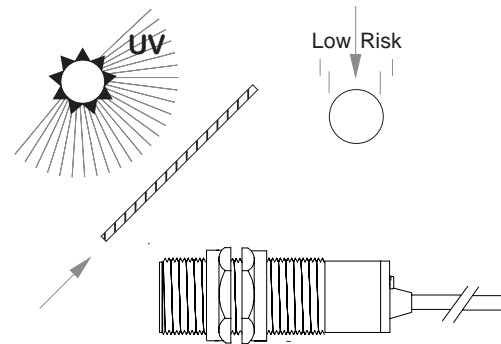
Dimensions - mm



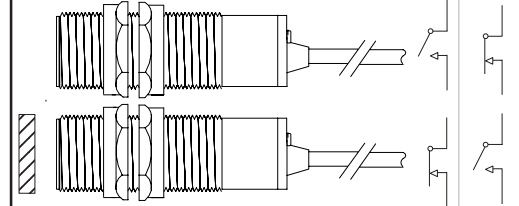
Connections



Protection



Output Mode



Approval



Approval No:  
**IECEXBAS04.0034X**  
TA100°C DIP A20

II 1D T100°C Tamb -15°C to +50°C IP65  
**Baseefa03ATEX0673X**

Specification

Supply V ..... 24-240V ac/dc.  
I. min ..... 0.55 mA.  
V. drop ..... 5.5V max.  
Output Rating ... 200 mA max.  
Max. Speed ..... 100 Hz.

->ID1TZA1-MAN 646-037(A)