



Detection & Control
in Action



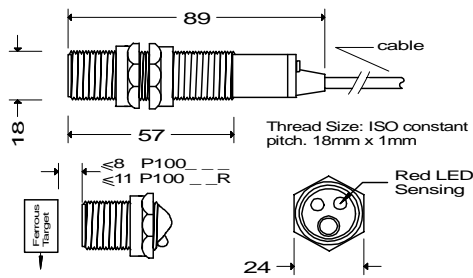
Detection & Control
in Action

ATEX Approved Inductive Proximity Sensor

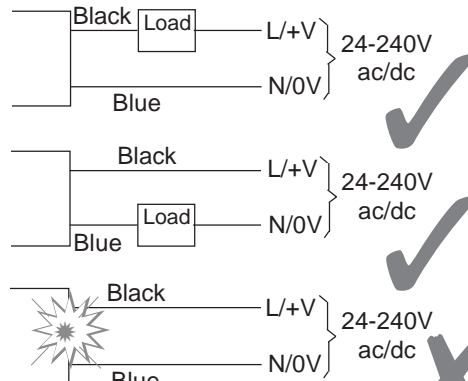
Type: **ID1MZA**

IE1MZA

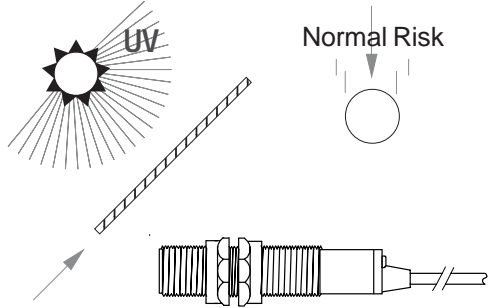
Dimensions - mm



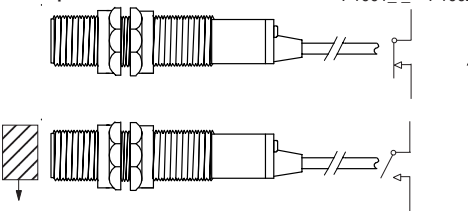
Connections



Protection



Output Mode



Approval



Specification

Supply V 24-240V ac/dc.
I. min ≤ 1 mA.
V. drop 5V max.
Output Rating ... 150 mA max.
Max. Speed 100 Hz.

644-082(A)
>-IX1MZATEX-mk2-MAN

Approval No:
Baseefa03ATEX0589X

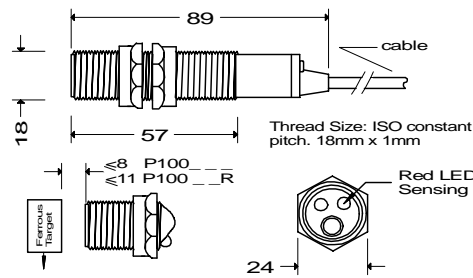
Category:
Ex II 1D T100°C Tamb -15°C to +50°C IP65

ATEX Approved Inductive Proximity Sensor

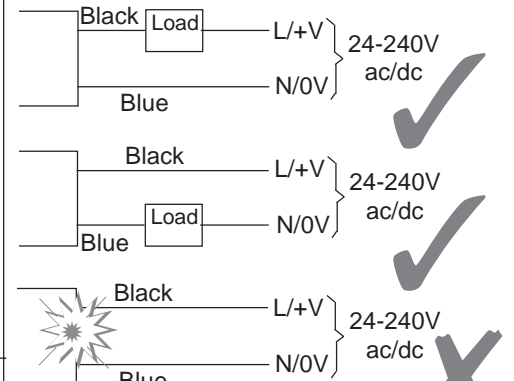
Type: **ID1MZA**

IE1MZA

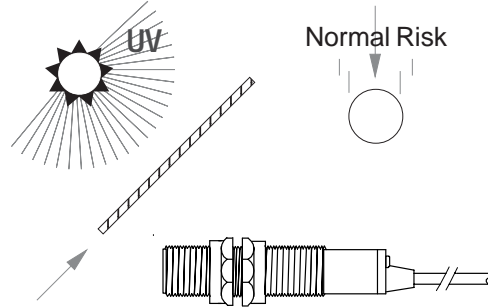
Dimensions - mm



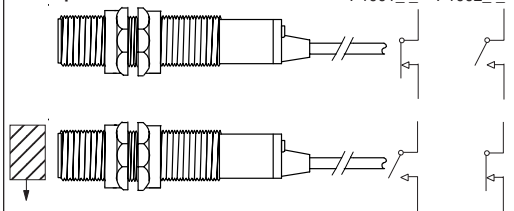
Connections



Protection



Output Mode



Approval



Specification

Supply V 24-240V ac/dc.
I. min ≤ 1 mA.
V. drop 5V max.
Output Rating ... 150 mA max.
Max. Speed 100 Hz.

644-082(A)
>-IX1MZATEX-mk2-MAN

Approval No:
Baseefa03ATEX0589X

Category:
Ex II 1D T100°C Tamb -15°C to +50°C IP65