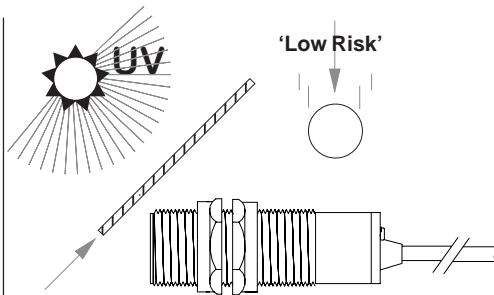
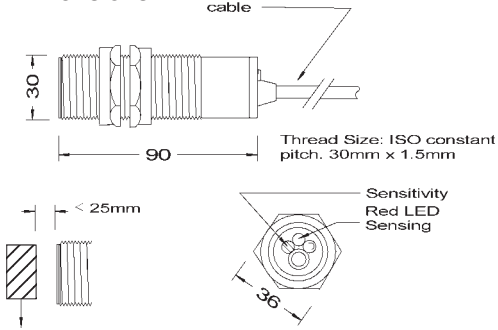




Approved Capacitance Sensor Type: **CD1TZAI** 843-015

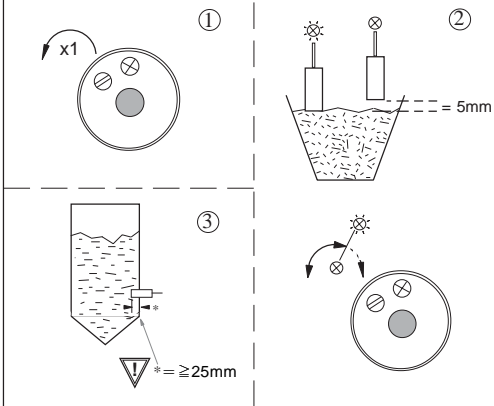
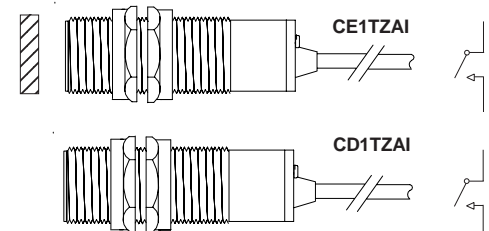
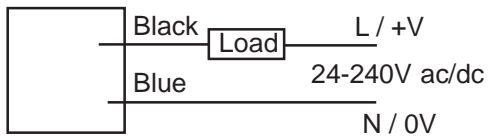
Approved Capacitance Sensor Type: **CE1TZAI** 843-016

Dimensions - mm



Installation & Calibration

Connections



Specification & Approval

Supply V 24-240V ac/dc.

I. Min 1mA.

V. Drop 5.5V.

Output Rating ... 200mA max.

Approval No:

Baseefa03ATEX0673X

II 1D T100°C Tamb -15°C to +50°C IP65

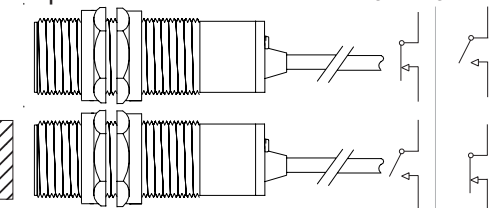
IECEX BAS 04.0034X

TA100°C DIP DIP A20



->CD1EITZAI/MAIN 644-078(C)

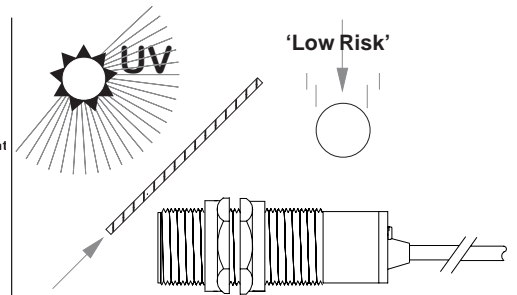
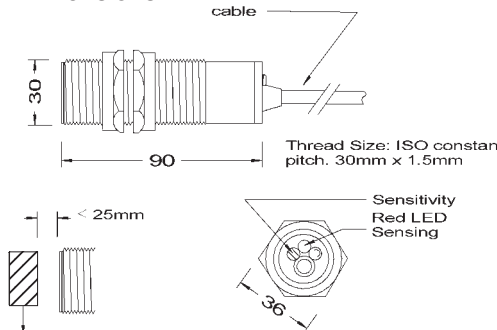
Output Mode



Approved Capacitance Sensor Type: **CD1TZAI** 843-015

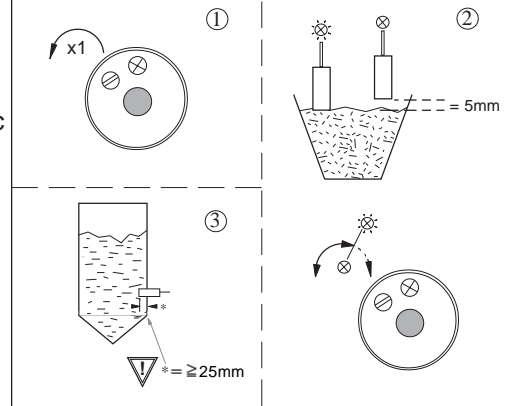
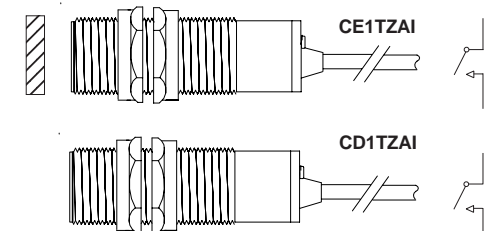
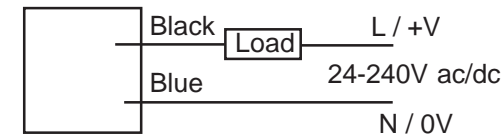
Approved Capacitance Sensor Type: **CE1TZAI** 843-016

Dimensions - mm



Installation & Calibration

Connections



Specification & Approval

Supply V 24-240V ac/dc.

I. Min 1mA.

V. Drop 5.5V.

Output Rating ... 200mA max.

Approval No:

Baseefa03ATEX0673X

II 1D T100°C Tamb -15°C to +50°C IP65

IECEX BAS 04.0034X

TA100°C DIP DIP A20



->CD1EITZAI/MAIN 644-078(C)

Output Mode

