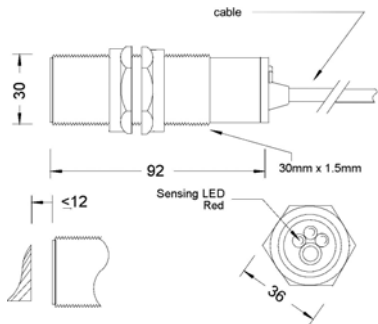


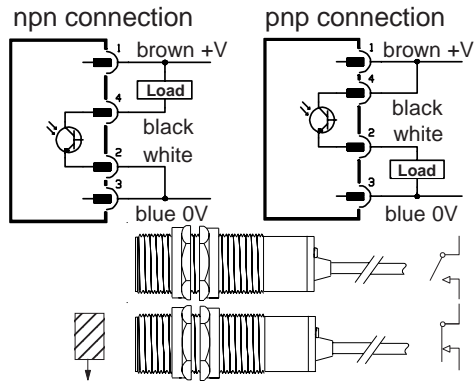


## ATEX Approved Proximity Sensor Type: IDIE1TO(AI)

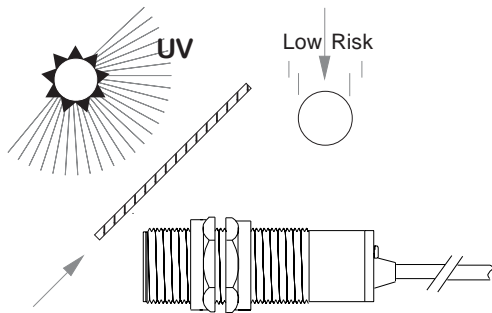
### Dimensions - mm



### Connections:-



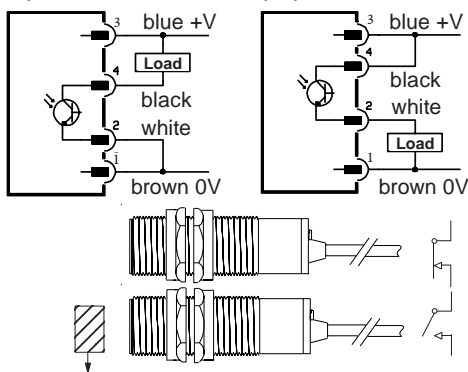
### Protection



### Approval



### nnp connection



### Specification

Supply V ..... 10-30V dc.  
Output ..... Opto-isolated  
transistor, npn or  
pnp use.  
Output Rating ... 100 mA 30V dc max.  
Max. Speed ..... 200 Hz.

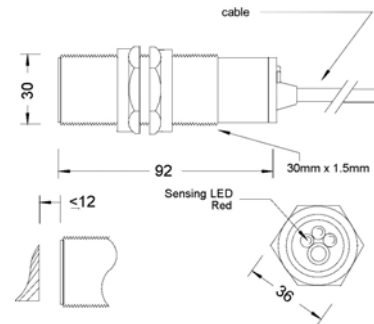
644-083(A)  
>ID\_EITTOAIMAN

Approval No:  
**IECEXBAS04.0034X**  
TA100°C DIP A20

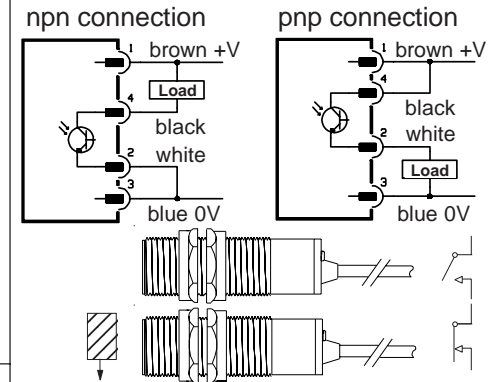
II 1D T100°C Tamb -15°C to +50°C IP65  
**Baseefa03ATEX0673X**

## ATEX Approved Proximity Sensor Type: IDIE1TO(AI)

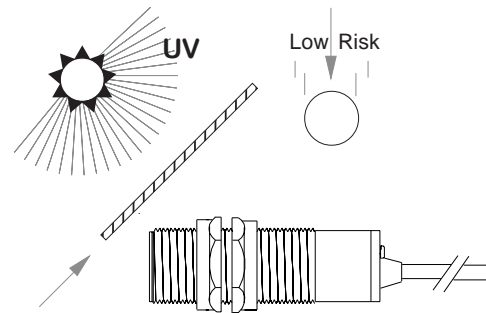
### Dimensions - mm



### Connections:-



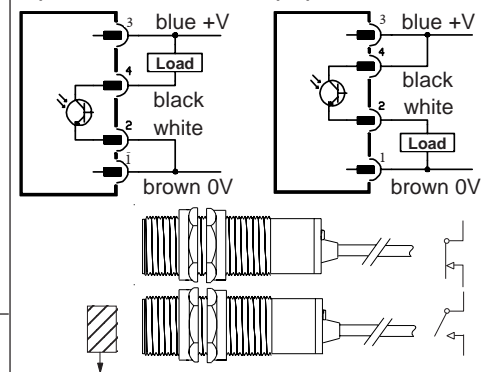
### Protection



### Approval



### nnp connection



### Specification

Supply V ..... 10-30V dc.  
Output ..... Opto-isolated  
transistor, npn or  
pnp use.  
Output Rating ... 100 mA 30V dc max.  
Max. Speed ..... 200 Hz.

644-083(A)  
>ID\_EITTOAIMAN

Approval No:  
**IECEXBAS04.0034X**  
TA100°C DIP A20

II 1D T100°C Tamb -15°C to +50°C IP65  
**Baseefa03ATEX0673X**