

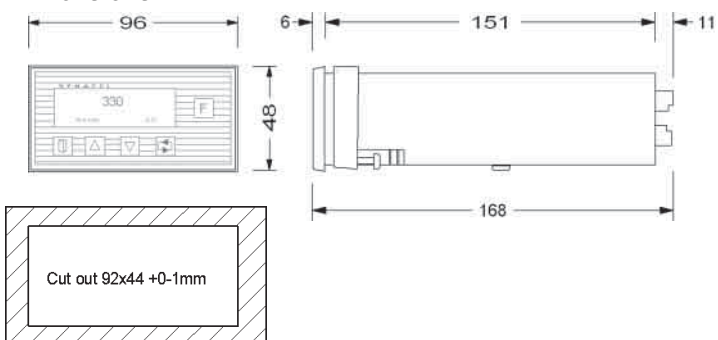
CTU1/CTU2 WITH GRAPHICS PANEL

Special function counter/tachometer unit with alpha-numeric graphic panel (back lit), ideal for displaying measured units or alert/warnings if signals go outside set parameters.

Programming socket incorporated on rear of unit.



Dimensions



SPECIFICATION - GENERAL.

Units can contain a selection of the following specifications:

Supply	110/230V ac 10-30V dc.
dc Supply Out	24V output available when mains powered. Reverse and over-volt protected.
Inputs	3 circuits, referenced to 24V dc supply. Fast/Slow response selectable (common control). pnp/npn selectable (common control). ESD protected. 10KHz true quadrature. Bi-directional counting.
Outputs	SPCO relay contacts, 5A 240V ac non-inductive maximum. Optically isolated 100mA @ 350V ac/dc (1500V isolation). Additional auxilliary board can be fitted for extra relay outputs, 4-20mA loop etc.
Display	Backlit LCD, 122 x 32 pixel, large and small character set.
Keyboard	Touch sensitive, 5 keys with bleeper.
Communication	RS232 input/output
General	Power fail detection with battery back-up, sufficient for at least 1 month.
Protection	IP41.
Connection	Screw terminals on rear of unit.
Weight	420g.

Connections will depend upon final function of unit.