

## PROXIMITY SENSOR RANGE

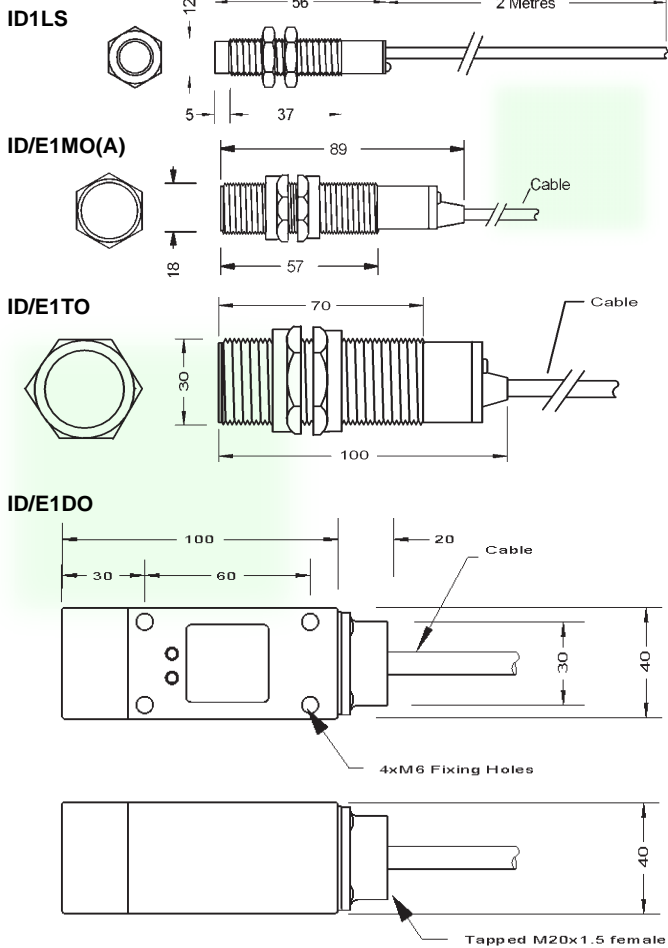
Synatel manufacture a range of proximity sensors, both inductive and capacitive, in a variety of enclosures ranging from a 12mm diameter dc type upto a 40mm DIN standard limit switch style; multivoltage with relay output. Units are available with ATEX and IEC Ex certification.

## DC INDUCTIVE SENSORS

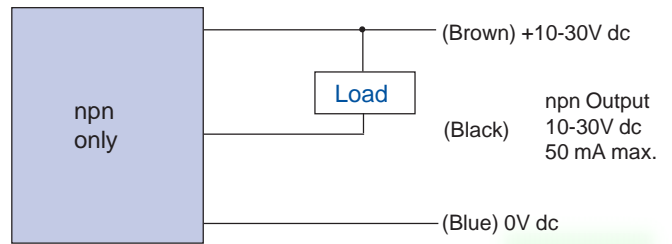
Consists of 12, 18, 30mm dia. plus DIN standard limit switch style. All units work from 10-30V dc supplies and provide transistor output for signalling/control purposes.



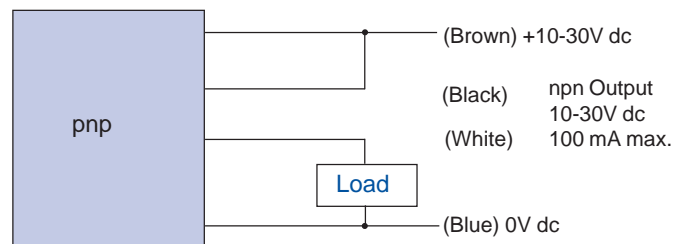
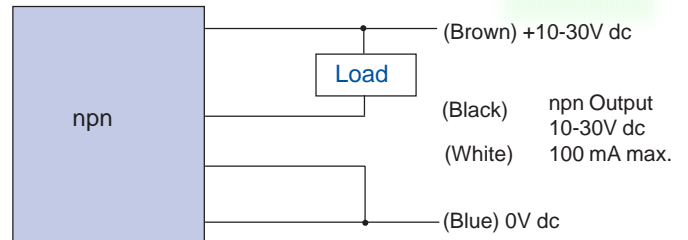
### Dimensions



### ID1LS



### ID/E1MO(A) - ID/E1TO - ID/E1DO



With 4 wire units **connected as shown above**, output will be **ON** when unit is **sensing**. For **output OFF** when **sensing**, reverse supply wires (only).

ID/E1MO(A) ATEX category: ⓂII 1D (Zone 20).  
 ID/E1MO(AG) ATEX category: ⓂII 2G 1D EEx m IIB (Zone 1/20).

Sensor attachment accessory available (Whirligig).  
 Targets are fully protected, no further guarding required.  
 See Speed Monitoring Catalogue (Section 3), for details.

## SPECIFICATION - GENERAL

	ID1LS (12mm)	ID/E1MO(A) (18mm)	ID/E1TO(A) (30mm)	ID/E1DO (Limit Switch)
Supply	10-30V dc.			
Output	npn transistor.	Fully opto-isolated transistor, reverse and overvoltage protected. npn/pnp configureable.		
Output Rating	30V 50mA max.	30V 100ma Max.		
Output State	Normally OFF.	User selectable.		
Operating Range	4mm	8mm	12mm	
Hysteresis	15% of Operating range.			
Ambient Temp.	-15°C to +50°C.			
IP Rating	IP65.			
Number of cores	3	4 (2 cores connect together to give npn or pnp connection).		
Weight	75g	260g	300g	325g

Note: **ID/E1MO(A)** is also available with Gas Hazard approval -unit becomes **ID/E1MO(AG)**. Suitable for gas group 2B.  
 Supply **must** be fused (see manual supplied with unit). All other details are as stated above.