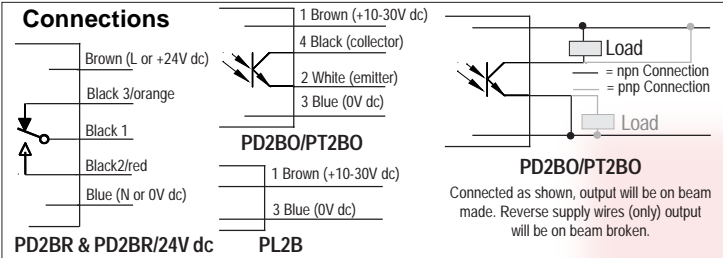


SPECIFICATION - GENERAL

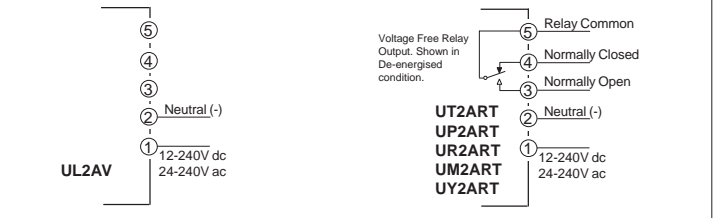
Supply	10-30V dc
Output	'O' units: Fully protected, opto-isolated transistor. Rated@ 100mA 30V dc max. 'R' units: S.P.C.O relay. Rated @ 3A 240V non-inductive
Indication	Output state LED
Termination	2M PVC sheathed cable
Mounting	Bracket supplied

SELECTION CHART

Model	Type	Voltage Range	Weight
PD2BO	Retro-Reflex	10-30V dc	110g
PD2BR-24	Retro-reflex	24V dc	110g
PD2BR	Retro-reflex	90-260V ac	110g
PL2B	Through beam emitter	10-30V dc	110g
PT2BO	Through beam receiver	10-30V dc	110g

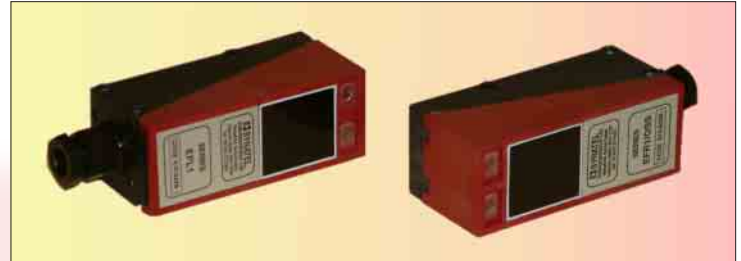


Connections

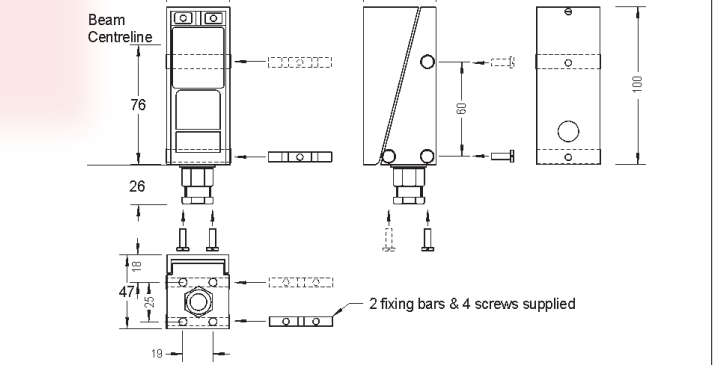


EF RANGE

A set of through beam sensors, working on 24V dc supply. Quick disconnect, a single screw holds the units together and the cabling is via a plug-in screw terminal block. Units are complete with mounting bars.



Dimensions

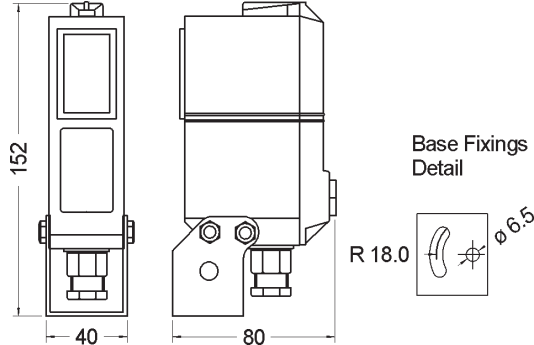


UNILIGHT RANGE

A robust and heavy duty range of sensors, all with universal voltage power supplies, sensitivity controls and time delays. Available in through beam, polarised retro-reflex and background suppressed reflex formats. Units are complete with a universal mounting bracket.



Dimensions



SPECIFICATION - GENERAL

Supply	12-240V ac/dc
Output	S.P.C.O relay rated at 3A 240V ac max. non-inductive
Indication	Output state and variable intensity alignment
Sensitivity	0-100% on receiver, reflex and retro reflex
Time Delay	0-5 seconds on beam make and beam break

SELECTION CHART

Model	Type	Operating Range	Weight
UP2ART	Retro-reflex	5.0M	280g
UR2ART	Reflex	0.75M	280g
UM2ART	Clear glass/plastic sensor retro-reflex	1.0M	280g
UT2ART	Receiver	8.0M	280g
UL2AV	Emitter		280g
UY2ART	Background suppressed reflex	1.0M	280g

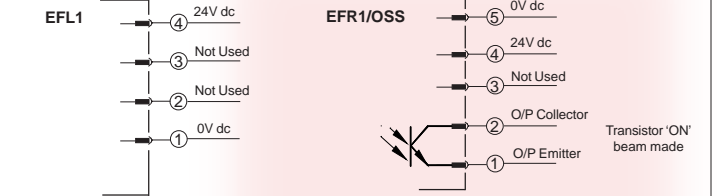
SPECIFICATION - GENERAL

Supply	24V dc
Output	Opto-isolated protected transistor. 30V dc 100mA max rating. npn or pnp configurable.
Indication	Output state and variable intensity alignment
Sensitivity	N/A
Time Delay	N/A

SELECTION CHART

Model	Type	Operating Range	Weight
EFR1/OSS	Receiver	6.0M	200g
EFL1	Emitter		200g

Connections

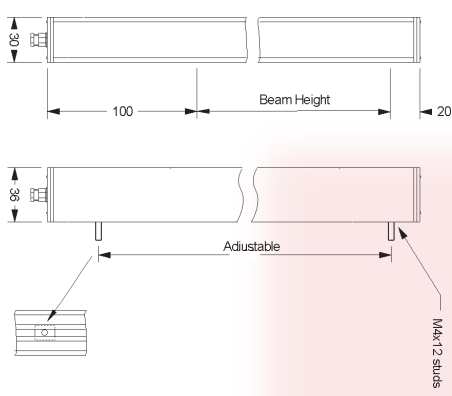


MULTIBEAM RANGE

Versatile and adaptive through beam sensor arrays suitable for height or object detection anywhere within a specified light curtain. Output can be either analogue, digital or switched (transistor), or a combination to suit particular applications.



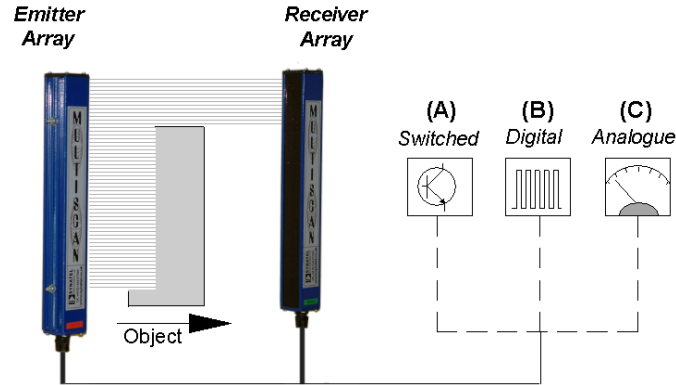
Dimensions



SPECIFICATION - GENERAL

Supply	10-30V dc (15-30V dc analogue o/p units)
Output	Optional choice of: switched (npn, pnp or opto-transistor, digital RS232, analogue 0-1mA or 4-20mA
Indication	Output state LED
Operating Range	100mm upto 2M max.
Beam Pitch	3mm
No. of Beams	30 standard, may be increased in multiples of 30
Mounting	M4 x 12mm adjustable fixing studs (supplied)

Output Configuration (Options)



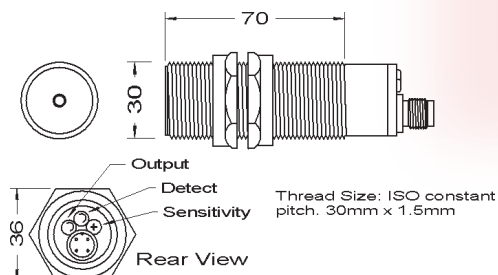
- A) Switched (npn, pnp or opto-transistor).
- B) Digital (RS232).
- C) Analogue 0-1mA (4-20mA optional) (supply range for this unit is 15V-30V dc).

PB1TS2/C Sensor

This is a broad beam sensor and is typically used on bottling lines, and will work with either glass or plastic containers. The sensor will ignore small gaps between bottles etc.



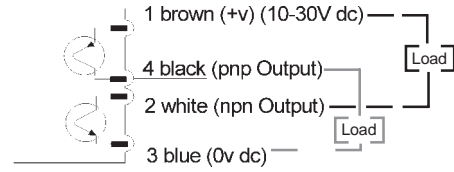
Dimensions



SPECIFICATION - GENERAL

Supply	10-30V dc
Output	1 npn > Rated @ 30V dc 1 pnp > 100mA max.
Indication	Output state and Detect LED's
Sensitivity	Adjustable 0-100%
Weight	120g

Connections



Accessories: Connector

ACCESSORIES

A range of ancillary items for use with specified synatel units.

